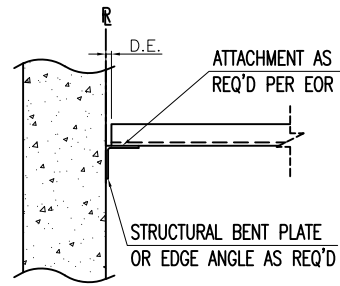
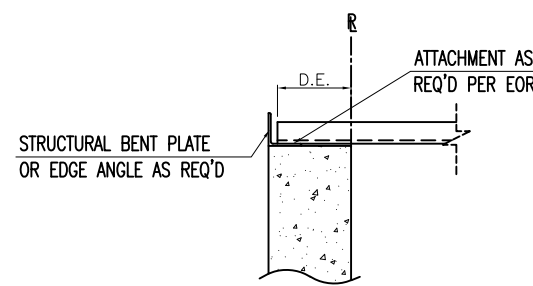


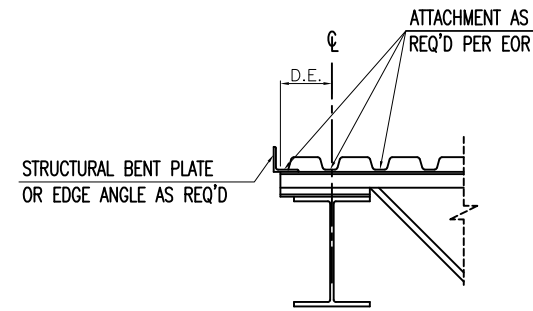
TYP. ROOF DECK EDGE
(STRONG SIDE)



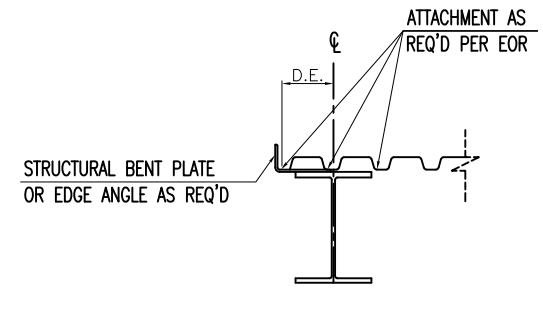
TYP. ROOF DECK EDGE
(STRONG SIDE)



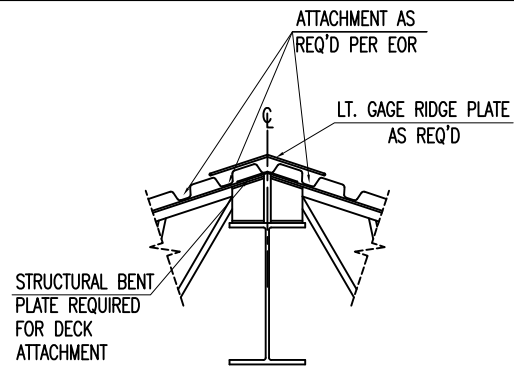
TYP. ROOF DECK EDGE
(STRONG SIDE)



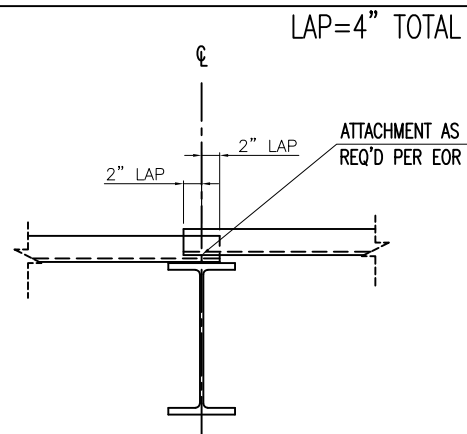
TYP. ROOF DECK EDGE
(WEAK SIDE)



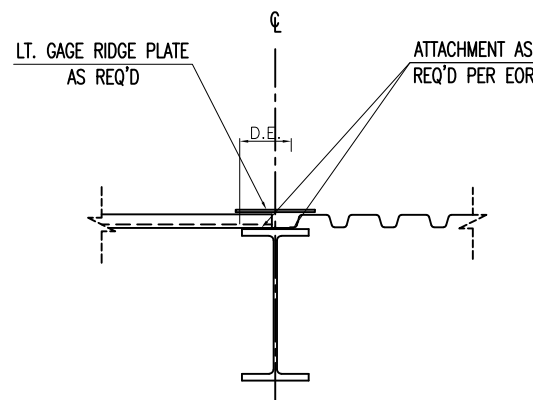
TYP. ROOF DECK EDGE
(WEAK SIDE)



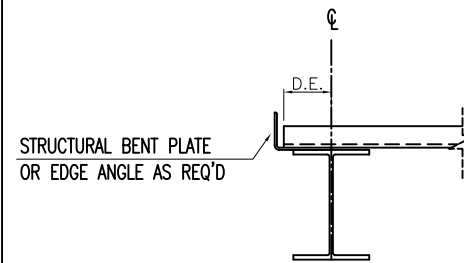
TYP. ROOF DECK EDGE
(WEAK SIDE)



DECK LAP DETAIL



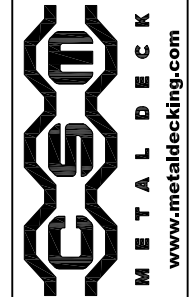
TYP. CHANGE IN DIRECTION



TYP. ROOF DECK EDGE
(STRONG SIDE)

DESCRIPTION	DATE	BY	REV	DATE DRAWN	DATE CHECKED	DATE APPROVED
	1-6-23		A			

SCALE: 1'-0" = 1'-0"



PRODUCT: Standard Deck Details - Roof Deck
 LOCATION:
 CONTRACTOR:
 ARCHITECT:

JOB NO:
 DRAWING NO:
 D1
 REV NO:
 A