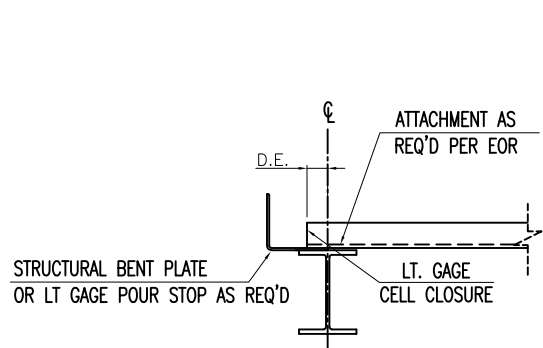
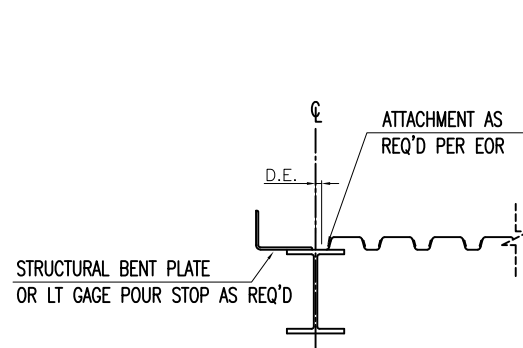


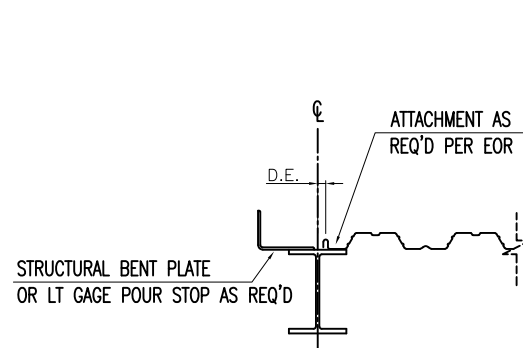
DECK BUTT DETAIL



TYP. COMPOSITE/FORM DECK EDGE  
(STRONG SIDE)

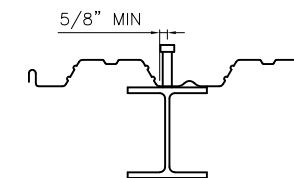


TYP. FORM DECK EDGE  
(WEAK SIDE)

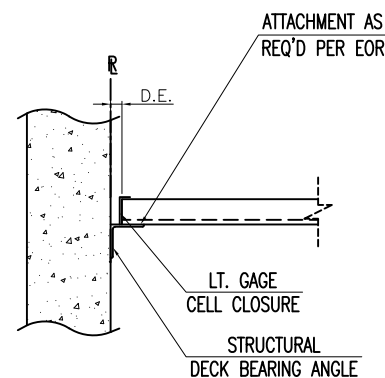


TYP. COMPOSITE DECK EDGE  
(WEAK SIDE)

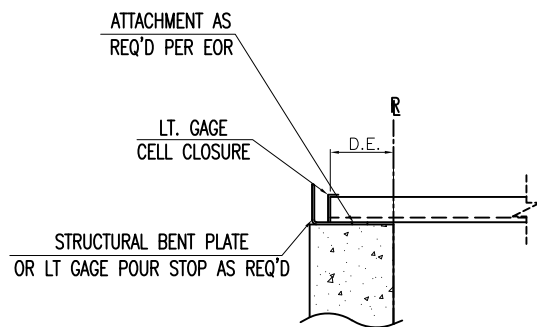
SHEAR STUD CLEARANCE  
SHEAR STUD ATTACHMENT REQUIRES A  
MINIMUM CLEARANCE FROM CENTER OF  
SHEAR STUD TO EDGE OF LOW FLUTE.



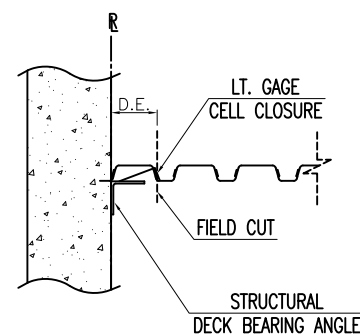
SHEAR STUD ATTACHMENT



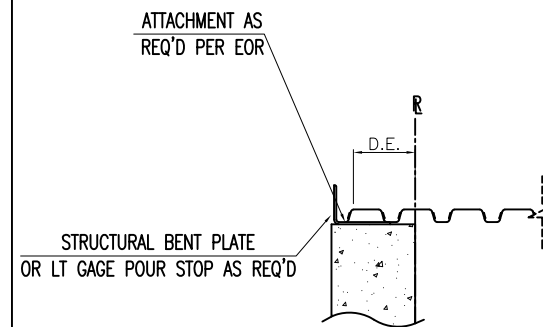
TYP. COMPOSITE/FORM DECK EDGE  
(STRONG SIDE)



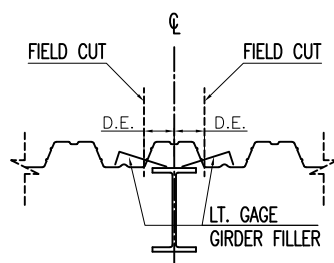
TYP. COMPOSITE/FORM DECK EDGE  
(STRONG SIDE)



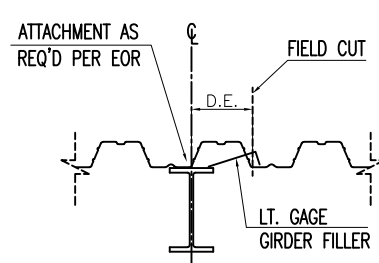
TYP. COMPOSITE DECK EDGE  
(WEAK SIDE)



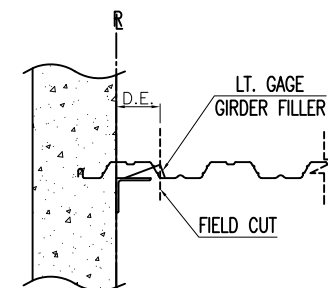
TYP. COMPOSITE DECK EDGE  
(WEAK SIDE)



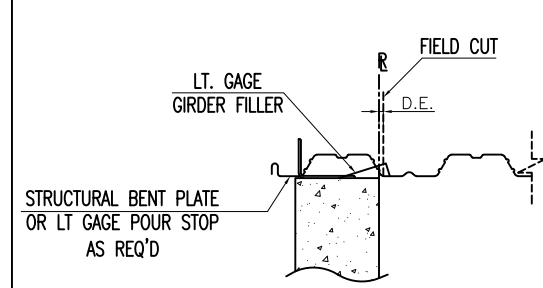
TYPICAL DECK HIGH FLUTE  
OVER SUPPORT



TYPICAL DECK HIGH FLUTE  
HALF ON SUPPORT



TYP. COMPOSITE DECK EDGE  
(WEAK SIDE)



TYP. DECK HIGH FLUTE  
OVER SUPPORT

REV	DATE	DESCRIPTION
A	1-6-23	

DRAWN BY: \_\_\_\_\_  
 CHECKED BY: \_\_\_\_\_  
 APPROVED BY: \_\_\_\_\_  
 DATE DRAWN: \_\_\_\_\_  
 DATE CHECKED: \_\_\_\_\_  
 DATE APPROVED: \_\_\_\_\_  
 SCALE: 1'-0" = 1'-0"

PRODUCT:	Standard Deck Details - Floor Deck
LOCATION:	
CONTRACTOR:	
ARCHITECT:	
JOB NO.:	
DRAWING NO.:	D2
REV NO.:	A