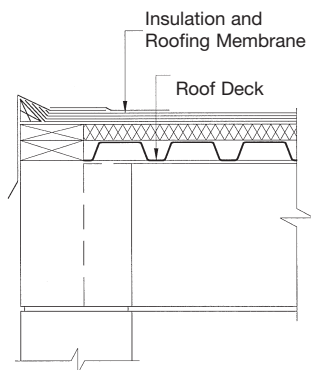
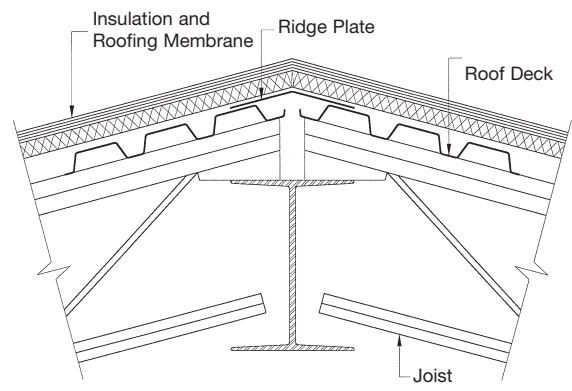


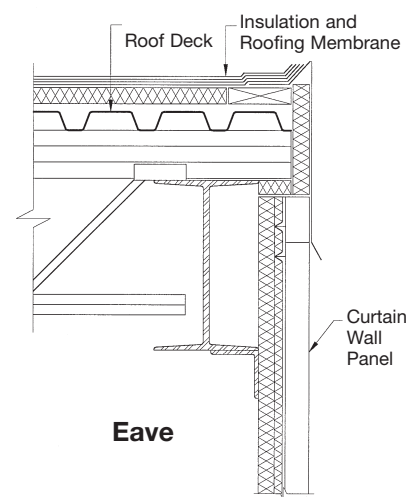
Construction Details



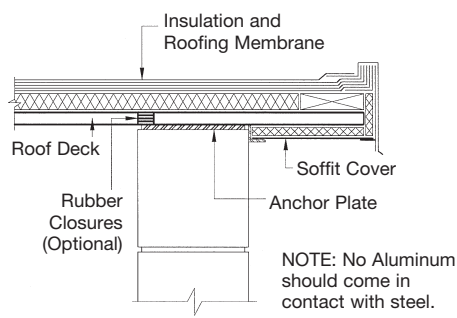
Flush Eave



Ridge Beam

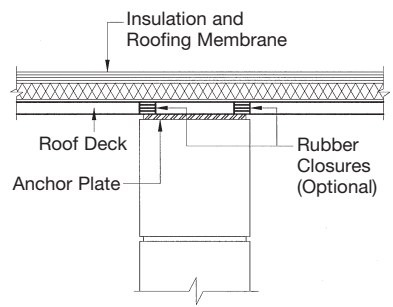


Eave

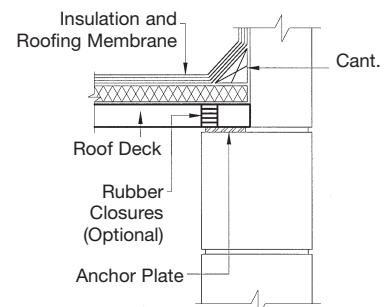


Roof Overhang

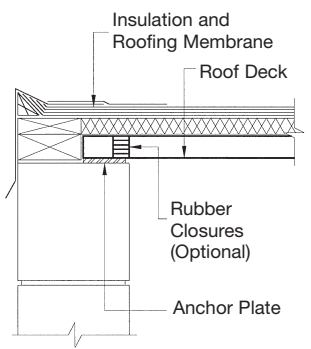
NOTE: No Aluminum should come in contact with steel.



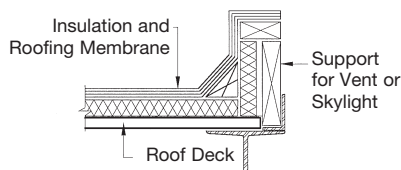
Interior Wall



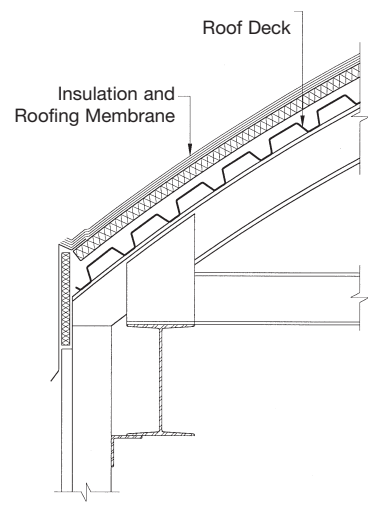
Parapet



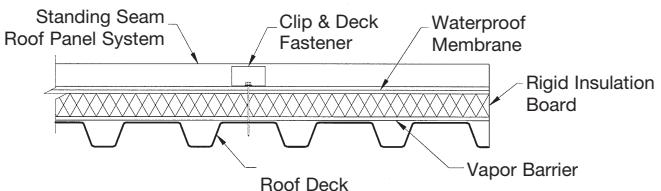
Flush Eave



Open-Framing Detail



Curved Roof



Metal Roofing